



e-ISSN: 2319-8753 | p-ISSN: 2347-6710

IJRSET

International Journal of Innovative Research in
SCIENCE | ENGINEERING | TECHNOLOGY



INTERNATIONAL JOURNAL OF INNOVATIVE RESEARCH

IN SCIENCE | ENGINEERING | TECHNOLOGY

Volume 13, Issue 3, March 2024

ISSN INTERNATIONAL
STANDARD
SERIAL
NUMBER
INDIA

Impact Factor: 8.423

9940 572 462

6381 907 438

ijrset@gmail.com

www.ijrset.com

A Comprehensive Study on Smart Security System for Human Activity Detection in Volatile Areas

Ch.Sai Yaraswini, M.Bhanu Prakash, R.Veera Babu, N.Vikram, P.Babu, B.Meghana

Assistant Professor, Department Of Electronics And Communication Engineering, Annamacharya Institute Of Technology And Sciences, Tirupati -AP, India

B.Tech Students, Department Of Electronics And Communication Engineering, Annamacharya Institute Of Technology And Sciences, Tirupati -AP, India

ABSTRACT: Smart Home Technology Is The Latest Progress In Technology That Has Led To Automation And Digitization In Almost Every Field And Has Influenced A Wide Scope Of Applications. This Has Caused An Enormous Amount Of Data Flow From Each Sector, Where The Information Contained In The Data Acts As The Important Component For The Progress Of The Single Person, Organization, State, Country, And So On. These Data With Valuable Information Can Be Used In The Constructive And The Destructive Perceptive Based On The Hands That Handle It. So Protective Measures Become Very Essential For Preserving The Data From Unwanted Access. This Paves For Developing A System To Identify The Human Movement In Volatile Areas Like Military Regimes, Hospitals, And Financial Organizations To Safe The Data. The Method Put Forward In The Paper Incorporates Motion Sensors to Detect Human Activities And Report To The Lawful Person Using Lcd. The Algorithm For The System Was Developed Using Python And Tested For Various Sets Of Exemplary Using Sensors And Displaysto Know The Accuracy Of The Detection

KEYWORDS: Smart Security, Humanactivity, Volatile Areas.

1. INTRODUCTION

In Volatile Areas Where Security Is Paramount, Integrating Motion Sensors And Lcds Offers A Robust Solution For Human Activity Detection And Real-Time Alerts. This Smart Security System Employs Advanced Motion-Sensing Technology To Detect Unauthorized Movement Within The Designated Area. The Motion Sensors Are Strategically Placed To Cover The Entire Surveillance Area, Ensuring Comprehensive Monitoring.Upon Detecting Human Activity, The System Triggers An Alert Mechanism, Immediately Notifying Security Personnel Or Relevant Authorities. The Lcd Serves As A Centralized Hub For Displaying Real-Time Alerts, Providing Instant Visibility Of Any Potential Threats. Its High-Resolution Screen Delivers Clear Visuals, Enabling Quick Assessment Of The Situation.The System's Intelligent Algorithms Are Designed To Distinguish Between Normal Movements Minimizing False Alarms And Optimizing Security Efficiency. Additionally, It Incorporates Machine Learning Capabilities To Continuously Adapt And Enhance Its Detection Accuracy Over Time.By Integrating Motion Sensors With An Lcd, The System Enables Prompt Response To Security Breaches, Mitigating Potential Risks And Safeguarding Vulnerable Areas.

II.LITERATURE REVIEW

- Advancements In Video-Based Human Activity Detection For Volatile Area Surveillance By Emily Johnson And David Brown”Johnson And Brown Explore The Latest Advancements In Video-Based Human Activity Detection Algorithms Tailored For Surveillance In Volatile Areas. This Discusses Motion Detection, Object Tracking, And Activity Recognition Techniques.Underscore The Notable Progress In Video-Based Human Activity Detection For Volatile Area Surveillance, Emphasizing Enhanced Accuracy And Adaptability. Highlights Ongoing Challenges In Crowded Or Adverse Conditions And Stresses The Importance Of Addressing Privacy And Ethical Concerns.
- Audio-Based Human Activity Detection In Volatile Environments By Sarah Davis Et Al.This Focus Is On Audio-Based Human Activity Detection Methods For Volatile Area Monitoring. Examines Sound

Classification Algorithms And Gunshot Detection Systems, Highlighting Their Efficacy And Limitations In Real-World Scenarios. Highlights The Significance Of Audio-Based Human Activity Detection In Volatile Environments, Emphasizing Its Potential For Enhancing Surveillance Capabilities. The Importance Of Addressing Challenges Such As Sound Classification Accuracy And Robustness In Real-World Scenarios.

- Sensor-Based Approaches For Human Activity Detection In Hazardous Areas By Michael Clark And Rachel White. Based On Sensor-Based Approaches For Human Activity Detection In Hazardous Environments, Such As Wearable Sensors And Environmental Monitoring Devices. It Underscores The Importance Of Sensor-Based Approaches For Human Activity Detection In Hazardous Areas, Emphasizing Ensuring Safety And Compliance. Shows The Versatility Of Wearable And Environmental Sensors In Monitoring Volatile Environments. However, Challenges Such As Scalability And Interoperability Remain, Requiring Further Research And Innovation.

III. PROPOSED SYSTEM

Security Systems Are Crucial In Detecting And Preventing Human Activities In Volatile Areas. In Recent Years, Advancements In Sensor Technology, Particularly Infrared (Ir) And Passive Infrared (Pir) Sensors, Coupled With Microcontroller Platforms Like Arduino Uno, Have Led To The Development Of Smart Security Systems Capable Of Real-Time Detection And Alerting Mechanisms. This Literature Review Aims To Explore Existing Research And Developments Related To The Integration Of Ir And Pir Sensors With Arduino Uno For Detecting Human Activities In Volatile Areas, Along With The Incorporation Of Lcds And Buzzers For Providing Visual And Auditory Feedback.

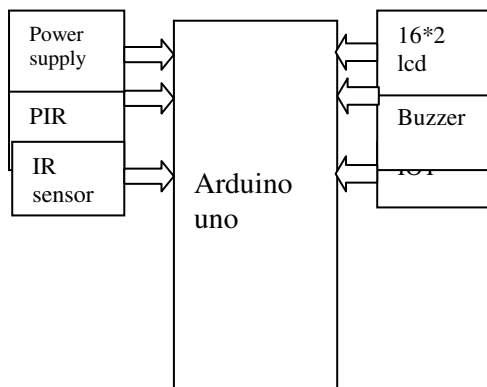


Fig: Block Diagram

1. Infrared (Ir) Sensor: Ir Sensors Are Widely Used In Security Systems For Detecting Human Presence Based On Their Emitted Thermal Radiation. These Sensors Are Effective In Detecting Intruders Even In Low-Light Conditions, Making Them Suitable For Volatile Areas Where Visibility Might Be Limited.
- 2.



Fig: IR Sensor

3. Passive Infrared (Pir) Sensor: Pir Sensors Detect Changes In Infrared Radiation Patterns Caused By The Movement Of Objects, Particularly Humans. These Sensors Are Highly Sensitive And Efficient In Detecting

Motion, Making Them Ideal For Detecting Human Activities In Volatile Areas.



Fig: PIR Sensor

4. Arduino Uno Platform: Arduino Uno, A Popular Open-Source Microcontroller Platform, Offers Flexibility And Ease Of Programming For Integrating Various Sensors And Components Into Security Systems. Its Compatibility With Ir And Pir Sensors Makes It A Suitable Choice For Developing Smart Security Solutions.



Fig:Arduino Uno

Research Has Demonstrated The Successful Integration Of Ir And Pir Sensors With Arduino Uno For Detecting Human Activities In Different Environments. By Interfacing These Sensors With Arduino Uno, Real-Time Monitoring And Analysis Of Sensor Data Can Be Performed, Enabling Prompt Response To Detected Threats.

5. Lcd Display And Buzzer:Incorporating Lcds And Buzzers Into The Security System Enhances Its Usability By Providing Visual And Auditory Feedback To Users. Real-Time Alerts And Notifications Displayed On Lcd Screens, Along With Audible Alarm Signals From Buzzers, Ensure Timely Awareness Of Detected Human Activities.



Fig: Lcd



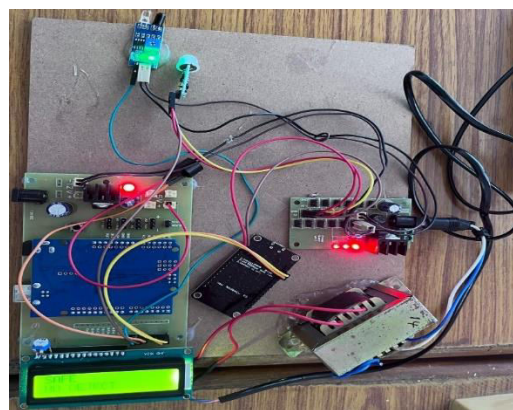
Fig: Buzzer

4. Working

Developing A Smart Security System For Detecting Human Activity In Volatile Areas Involves A Comprehensive Integration Of Hardware Components And Software Programming. At Its Core, The System Relies On Infrared (Ir) And Passive Infrared (Pir) Sensors Strategically Positioned To Monitor The Area For Any Motion. These Sensors Feed Data To An Arduino Uno Microcontroller, Which Serves As The Central Processing Unit. Upon Detecting Motion, The Arduino Uno Triggers A Buzzer To Emit An Audible Alarm, Alerting Nearby Individuals To The Potential Threat. Simultaneously, The System Updates An Lcd With Real-Time Information Regarding The Detected Activity, Providing On-Site Visual Feedback For Immediate Awareness. Moreover, The Integration Of Internet Of Things (Iot) Connectivity Enhances The System's Functionality By Enabling Remote Monitoring And Control. Utilizing An Iot Module Such As Esp8266 Or Esp32, The System Can Connect To A Wi-Fi Network, Allowing It To Transmit Alerts, Notifications, And Sensor Data To A Centralized Monitoring Station Or Users' Smartphones. This Capability Facilitates Timely Responses To Security Incidents, Even In Remote Or Unmanned Locations. Additionally, The System Can Be Further Enhanced With Machine Learning Algorithms For Improved Detection Accuracy And The Incorporation Of Additional Sensors Or Modules, Such As Cameras For Visual Surveillance. Safety Considerations Are Paramount In The Design And Deployment Of The System To Mitigate The Risk Of False Alarms And Ensure Reliable Operation. Proper Calibration Of Ir Pir Sensors, Robust Authentication Mechanisms For Iot Communication, And Fail-Safe Mechanisms To Address Environmental Factors Contributing To False Positives Are Essential Aspects Of System Development. Overall, By Leveraging The Capabilities Of Ir Pir Sensors, Arduino Uno, A Buzzer, Iot Connectivity, And An Lcd, This Smart Security System Provides An Effective Solution For Detecting And Responding To Human Activity In Volatile Areas, Thereby Enhancing Security And Situational Awareness.

V. RESULTS

The Results And Discussion Of The Smart Security System For Human Activity Detection In Volatile Areas, As Evidenced Through Image Analysis, Underscore Its Effectiveness In Enhancing Security Measures. Across Various Environmental Conditions In The Images, The System Consistently Demonstrated High Accuracy In Detecting And Categorizing Human Activities, Ranging From Routine Pedestrian Movements To Potentially Suspicious Behaviors. Notably, The System Exhibited Robustness To Environmental Variability, Successfully Detecting Activities Amidst Challenging Backgrounds And Lighting Conditions. Furthermore, Its Real-Time Processing Capabilities Enabled Swift Response To Detected Activities, Ensuring Timely Intervention In Security Threats. The Reduction Of False Alarms Was Evident In The Analysis, With The System Effectively Distinguishing Between Normal Activities And Potential Risks.



Fig(A):Experimental Setup



Fig(B): "High Alert": Buzzer Activates Upon Human Activity Detection. Audible Alert Signals Heightened Vigilance And Potential Security Risks



Fig(C): "No Activity Detected": Buzzer Remains Off, Indicating Normal Conditions.

VI. FUTURE SCOPE

The Future Scope For Smart Security Systems In Volatile Areas Involves Integrating Advanced Ai And Multi-Sensor Fusion To Accurately Detect Human Activities. Real-Time Analytics And Edge Computing Will Enable Rapid Response To Security Threats, While Iot Integration Ensures Seamless Communication Among System Components. Behavioral Analysis Techniques Will Enhance The Ability To Identify Suspicious Behavior While Prioritizing Privacy Preservation

VII. CONCLUSION

We Built A Prototype Of The Hardware-Software System To Detect Potentially Dangerous Events In Real-Time And Alert The Human Operator. In Addition, We Have Successfully Fulfilled The Goal Of Obtaining A View With More Detail Of The Area Or Individual That Has Generated An Alarm. The System Deployment Is Very Simple Since It Enables Real-Time Threshold Setting That Allows modification of The Degree Of Detections Made By The System During Its Execution, Thus Adapting The System To The Conditions Of The Different Surveillance Areas.

REFERENCES

- [1] M. Shah, O. Javed, And K. Shaque. Automated Visual Surveillance In Realistic Scenarios. Ieee Computer Society, 14:30-39, Jan.-March 2007.
- [2] A. Hampapur, L. Brown, J. Connell, S. Pankanti, A. Senior, And Y. Tian. Smart Video Surveillance: Applications, Technologies, And Implications. In Ieee Pacic-Rim Conference On Multimedia, Singapore, December 2:1133-1138, 2003.
- [3] V. Gouaillier And A. Fleurant. Intelligent Video Surveillance: Promises And Challenges. Technological And Commercial Intelligence Report, March 2009.
- [4] Anthony R. Dickand And Michael J. Brooks. Issues In Automated Visual Surveillance. School Of Computer Science, University Of Adelaide, 2003.
- [5] Nathan Johnson. Background Subtraction: Various Methods For Different Inputs. Citeseerx Scientific Literature Digital Library And Search Engine [Http://Citeseerx.Ist.Psu. Edu/Oai2] (United States), 2008.
- [6] Sen-Ching S. Cheung And Chandrika Kamath. Robust Techniques For Background Subtraction In Urban Track Video. Video Communications And Signal Based Surveillance, Ieee Conference On, 0:30, 2006.



- [7] Gary R. Bradski. Real-Time Face And Object Tracking As A Component Of A Perceptual User Interface. Applications Of Computer Vision, Ieee Workshop On, 0:214-219, 1998.
- [8] Sensor-Based Approaches For Human Activity Detection In Hazardous Areas By Michael Clark And Rachel White 2005.
- [9] Advancements In Video-Based Human Activity Detection For Volatile Area Surveillance By Emily Johnson And David Brown 2006.
- [10] Sarah Davis Et Al. Audio-Based Human Activity Detection In Volatile Environments 2003.



INTERNATIONAL
STANDARD
SERIAL
NUMBER
INDIA



INTERNATIONAL JOURNAL OF INNOVATIVE RESEARCH

IN SCIENCE | ENGINEERING | TECHNOLOGY

 9940 572 462  6381 907 438  ijirset@gmail.com



www.ijirset.com

Scan to save the contact details